



[Launching File](#)

New EOS 10-C18 Pump



Other Documents Available:



- Technical File
 - All information you need to Know on competition!



CONTENTS

1. Presentation
2. Description of the **EOS 10-C18**
3. The targeted Markets **EOS 10-C18**
4. The applied Products **EOS 10-C18**
5. The Applications **EOS 10-C18**
6. **E**fficiency **EOS 10-C18**
7. **O**ptimization **EOS 10-C18**
8. **S**implicity **EOS 10-C18**

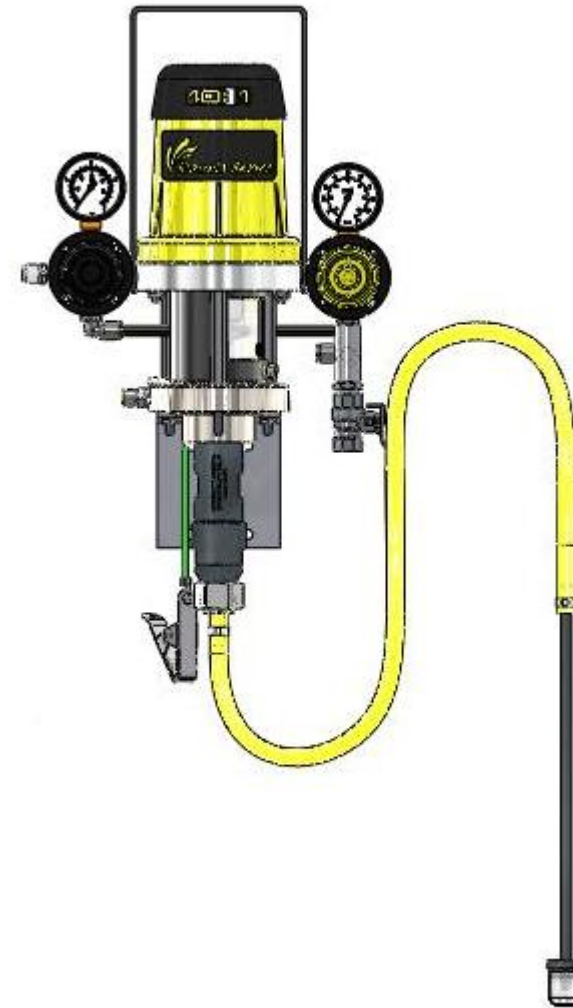
CONTENTS

1. Presentation
2. Description of the EOS 10-C18
3. The targeted Markets EOS 10-C18
4. The applied Products EOS 10-C18
5. The Applications EOS 10-C18
6. **E**fficiency EOS 10-C18
7. **O**ptimization EOS 10-C18
8. **S**implicity EOS 10-C18

1 – Presentation EOS 10-C18 Pump

PRESENTATION

- The well known and successful 10.14 pump has been redesigned to offer the brand new **10-C18 pump!**



CONTENTS

1. Presentation
2. Description of the EOS 10-C18
3. The targeted Markets EOS 10-C18
4. The applied Products EOS 10-C18
5. The Applications EOS 10-C18
6. **E**fficiency EOS 10-C18
7. **O**ptimization EOS 10-C18
8. **S**implicity EOS 10-C18

2 - Description of the EOS 10-C18 Pump



DESCRIPTION



Based on A Kremlin Rexson unique knowledge!

- Creator of the differential Air Motor and
- Simple Construction Hydraulic section with reliable movable lower packing

2 - Description of the EOS 10-C18 Pump



Kremlin Rexson presents in the **EOS** range,

The New 10-C18 Pump

Compact

Simple Construction

Reliable, based on proven technology

Design for quick color change



DESCRIPTION

2 - Description of the EOS 10-C18 Pump



Why 10-C18?

It is following the New Pump description created for EOS 15 & 30-C25

DESCRIPTION

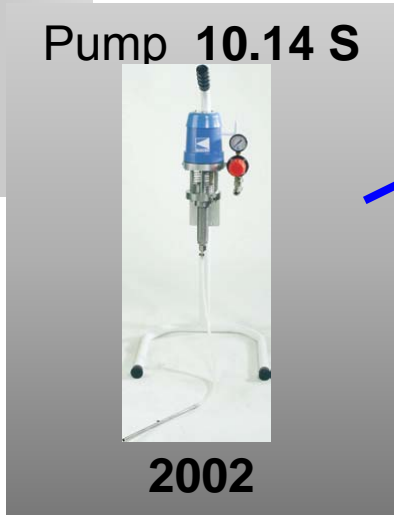
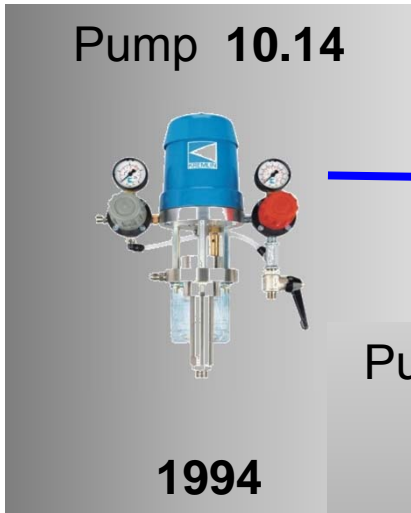
- ▶ First number '10' refers to Pump Pressure Ratio (here: 10/1)
- ▶ Letter refers to a pump built with a lubricant Cup
- ▶ Second number 18 refers to fluid delivery in cc for one cycle (or double stroke) of the hydraulic section (here: 18 cc)

2 - Description of the EOS 10-C18 Pump



New EOS 10-C18, A strong links with proven sales and technical success!

DESCRIPTION



Pump 10-C18



2013

20 Years of successful sales to thousand of satisfied customers

2 - Description of the EOS 10-C18 Pump



Range Evolution

DESCRIPTION

**Pump 10.14 S
&
Pump 10.14**
PPR 10/1
Fluid delivery
per Cycle
18cc/0,59 oz



Pump EOS 10-C18
PPR 10/1
Fluid delivery per Cycle
18cc/0,60 oz



Pump EOS 15-C25
PPR 15/1
Fluid delivery per Cycle
25cc/0,82 oz



Pompe 20.15
PPR 20/1
Fluid delivery per
Cycle
22cc/0,73 oz



Pump EOS 30-C25
PPR 30/1
Fluid delivery per Cycle
25cc/0,82 oz



CONTENTS

1. Presentation
2. Description of the EOS 10-C18
3. The targeted Markets EOS 10-C18
4. The applied Products EOS 10-C18
5. The Applications EOS 10-C18
6. **E**fficiency EOS 10-C18
7. **O**ptimization EOS 10-C18
8. **S**implicity EOS 10-C18

3 – The targeted Markets

EOS 10-C18 Pump



TARGETED MARKETS

Targeted Customers:

- Entry level Customers in Small to Medium Work Shops
- Spraying less than 50 liters per day
- Searching for flexibility;
1 pump to accommodate 1 gun

➤ The Expectation of our customers with regards to a pump for painting are:

1. Competitive price,
2. Real simplicity of use,
3. Strong and reliable construction,
4. User-friendliness in production,
5. Pump which save materials and flushing solvents

3 – The targeted Markets

EOS 10-C18 Pump



TARGETED MARKETS

- Furniture
- Kitchen and bathrooms
- Shop fitters

Wood Markets



3 – The targeted Markets

EOS 10-C18 Pump



TARGETED MARKETS

Metal Industry

- Farming & Earth moving equipment
- Machine tools



3 – The targeted Markets

EOS 10-C18 Pump



TARGETED MARKETS

Markets « Selection Table »

		▲	Recommended									
		▶	Usuable for manual application only									
WOOD AND METAL			Furniture	Kitchen & Bathrooms	Exterior Furniture	Rolling Stock	Farming equipment	Construction equipment	Civil Aviation	Machine Tools	Metal Construction	Drums
	EOS 10-C18	▲	▲				▲			▲		

CONTENTS

1. Presentation
2. Description of the EOS 10-C18
3. The targeted Markets EOS 10-C18
4. The applied Products EOS 10-C18
5. The Applications EOS 10-C18
6. **E**fficiency EOS 10-C18
7. **O**ptimization EOS 10-C18
8. **S**implicity EOS 10-C18

4 – The applied Products

EOS 10-C18 Pump



APPLIED PRODUCTS

Products « Selection Table »

▲	Recommended
▶	Usable
▼	NOT Recommended
◀	Usable with Solvent Borne Only

	Solvent Borne Paints	Water Borne Paint	Single Components	Two Components	UV sensitive products	Moisture sensitive catalyst	Shear sensitive products	Low viscosity < 750 cPs with QCC* Suction rod	Viscosity 750 to 1500 cPs with Easy Flush Suction Rod	High viscosity > 1500 cPs
EOS 10-C18	▲	▶	▲	▶	▼	▼	▼	▲	▲	▼

* QCC Suction Rod = Quick Color Change, Solvent borne Paints Only

CONTENTS

1. Presentation
2. Description of the EOS 10-C18
3. The targeted Markets EOS 10-C18
4. The applied Products EOS 10-C18
5. The Applications EOS 10-C18
6. **E**fficiency EOS 10-C18
7. **O**ptimization EOS 10-C18
8. **S**implicity EOS 10-C18

5 – The Applications EOS 10-C18 Pump



Applications « Selection Table »

THE APPLICATIONS

		▲	▲	▲	▲	▲	▲	
		Recommended	Usuable	Not recommended	Not appropriate			
THE TECHNOLOGIES		Air Spray Conventiounnal Air Spray electrostatic	Airmix® Xcite 120 bar	Airmix® Xcite 200 bar	Other AAA working pressure exceeding 90 bar	Other AAA working pressure exceeding 190 bar	Airless	Electrostatique Airmix®
		EOS 10-C18	▼	▲	▲	▲	▲	▼

5 – The Applications EOS 10-C18 Pump



THE APPLICATIONS

Applications « Selection Table »

		▲	▲	▲	▲	▲	▲	▲	▲	▲	▲
		Recommended	Usuable	Not recommended	Not appropriate						
PRODUCT FLOW RATE	Daily Paint Consumption lower 50 liters										
	Daily Paint Consumption 50 to 75 liters										
	Daily Paint Consumption 75 to 150 liters										
	Daily Paint Consumption exceeding 150 litres										
	1 gun, tip #06 (0,011)										
	2 guns, tip #06 (0,011)										
	1 gun, tip #09 (0,013)										
	2 guns, tip #09 (0,013)										
	1 gun, tip #12 (0,015)										
	2 guns, tip #12 (0,015)										
	EOS 10-C18	▲	▲	▲	▲	▲	▲	▲	▲	▲	▲

CONTENTS

1. Presentation
2. Description of the EOS 10-C18
3. The targeted Markets EOS 10-C18
4. The applied Products EOS 10-C18
5. The Applications EOS 10-C18
6. **E**fficiency EOS 10-C18
7. **O**ptimization EOS 10-C18
8. **S**implicity EOS 10-C18

6 - Efficiency

EOS 10-C18



EFFICIENCY

- A. *Full Stainless Steel Hydraulic Section* p 24
- B. *New Fluid Cylinder* p 25
- C. *Chrome Plated Fluid Piston* p 26
- D. *New Suction valve* p 27 → 29
- E. *Closed Construction* p 30/31
- F. *New Air Motor Design* p 32/33

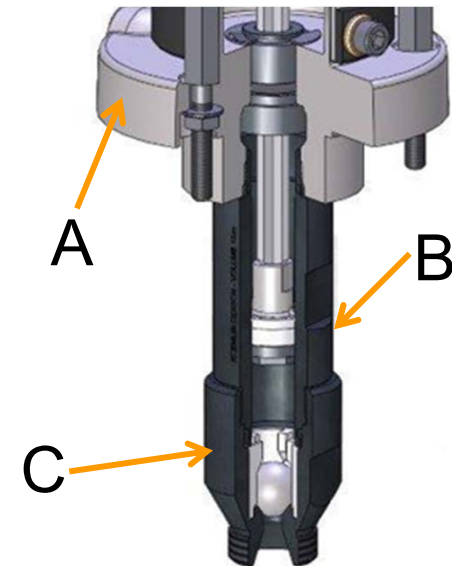
6 - Efficiency

EOS 10-C18 Pump



A – Full stainless steel Hydraulic section

- All wet parts in contact with the product are in cast molded stainless steel (A) or manufactured (C).
- The Cylinder (B) receives a triple Chromium plating inside for a maximum durability.
- Seats are also in Stainless steel.
- Balls are made of Stainless Steel for high resistance to corrosion.



➤ **Customer benefit:**

- The EOS 10-C18 Pump is perfectly adapted to a wide range of materials including Water Borne.

EFFICIENCY

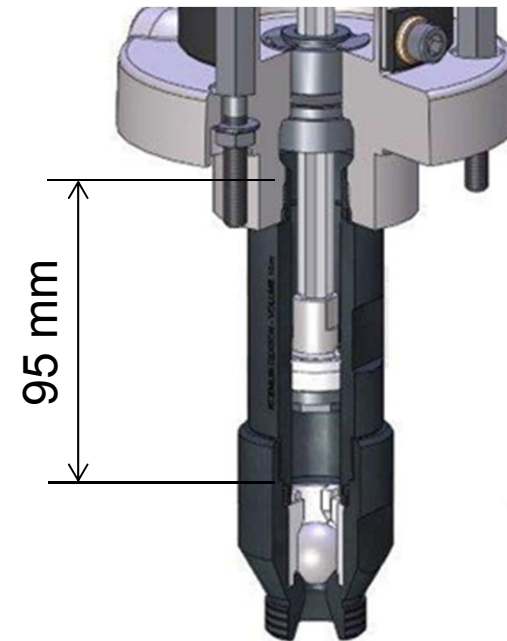
6 - Efficiency

EOS 10-C18 Pump



B – New Fluid Cylinder

- New Fluid Cylinder is shorter than original Fluid Cylinder of 10.14 pump (95 mm instead of 120 mm)
 - To reduce dead volumes and make Color Change even quicker.
 - To make the complete pump assembly even more compact.
 - Eliminate dead zone while maintaining the same flow per cycle at 18 cc.



➤ **Customer benefit:**

- Quicker and easy Color Change than 10.14 pump

EFFICIENCY

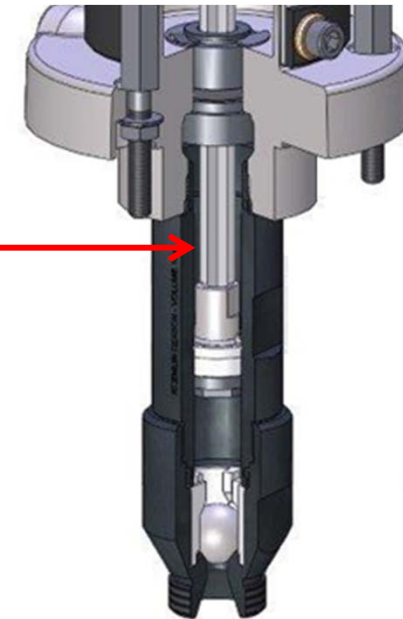
6 - Efficiency

EOS 10-C18 Pump



C – Chrome plated Fluid Piston

- Fluid Piston is Chrome Plated:
 - Proven Surface treatment through years of operation on Kremlin Rexson pumping systems.
 - Reliable and compatible with various kind of materials.
 - While minimizing Coefficient of friction to keep smooth and efficient pump operation.



➤ **Customer benefit:**

- Reliable with low friction on Upper packing.

EFFICIENCY

6 - Efficiency

EOS 10-C18 Pump

D – New Suction Valve

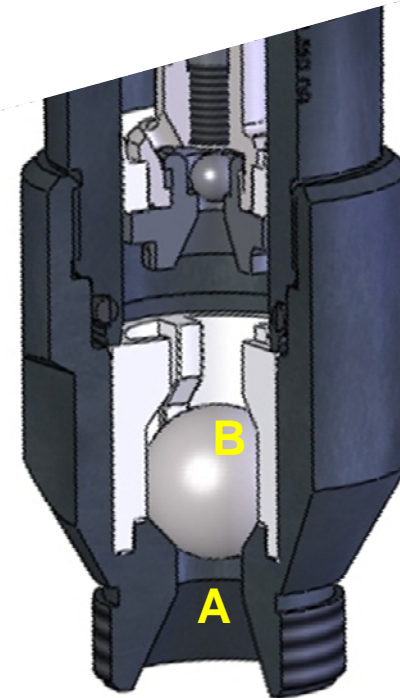
- The New 10-C18 pump is coming with a New foot valve with larger fluid passage.
 - Inlet passage (A) = 10 mm
 - Suction ball (B) = 16 mm

(10.14 inlet passage only 8 mm and Suction ball only 12,5 mm)

➤ **Customer benefit:**

• Handle low to medium viscosity materials without cavitations

➔ **Consistent flow for superior finish.**



EFFICIENCY

6 - Efficiency

EOS 10-C18 Pump



D – New Suction Valve

- The New Suction Valve is built with only 3 parts
 - Ball Cage
 - Ball
 - Body with seat

(10.14 foot valve was built with 5 parts, Body with seat, seal, ball, circlips, ball cage)



➤ Customer benefit:

- Easier servicing

EFFICIENCY

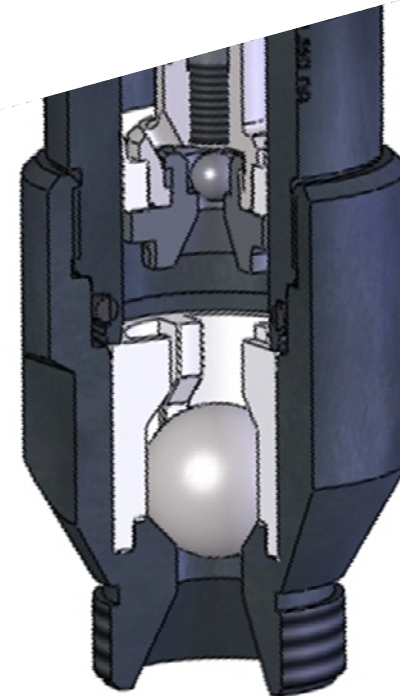
6 - Efficiency

EOS 10-C18 Pump



D – New Suction Valve

- The New Suction Valve is 100% compatible with Suction valve of the 15-C25 and 30-C25.



EFFICIENCY

➤ Customer benefit:

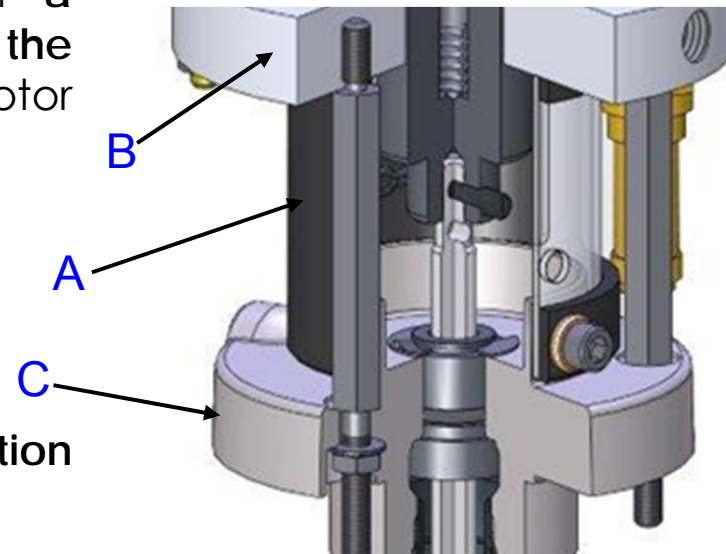
- Easier servicing

6 - Efficiency

EOS 10-C18

E – Closed Construction

- EOS Pumps 10-C18 is coming with a complete protection enclosure around the lubricant cup (A) between the Air motor (B) and the hydraulic section (C).



- This completely closed construction ensures perfect safety for the operator

➤ Customer Benefit:

- No risk of severe injuries by pinching out

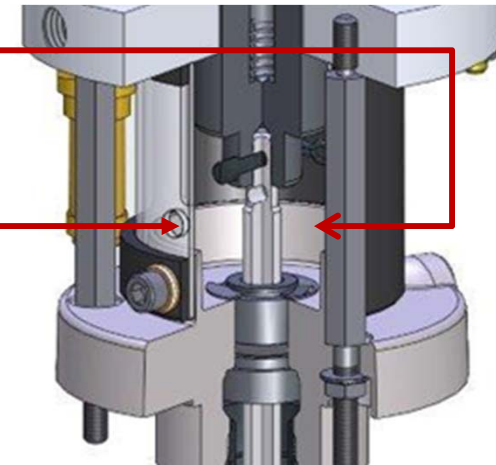
6 - Efficiency

EOS 10-C18



E – Closed Construction (cont.)

- Protection of lubricant cup
- Slide window is coming with a hole to easily refill lubricant cup



➤ **Customer Benefit:**

- Protects the lubricant from external contamination coming from working environment, such as dusts, debris or others...

EFFICIENCY

6 - Efficiency

EOS 10-C18



F – Air Motor design

- The experience of Kremlin Rexson and the concept “**Energy Saving**” of Kremlin Rexson Pump Air Motor offers a better return than an Air Motor with external air distributor at a comparable pressure ratio and a comparable product flow rate.
- The 340-2 Air Motor requests only 1,9 M3/h and works on a 0,5 hp Air compressor
 - Refer to Technical file for comparison with competition

➤ **Customer benefit:**

- Saving of Energy by reducing the annual consumption of Compressed Air

➔ **Accelerated Return On Investment**

EFFICIENCY

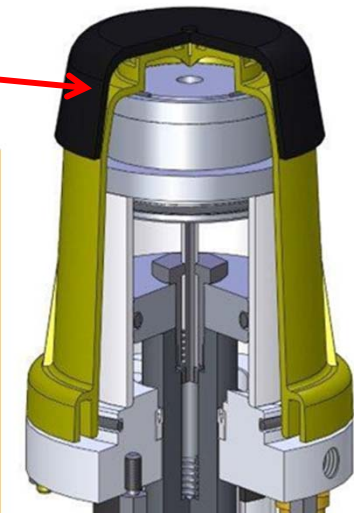
6 - Efficiency

EOS 10-C18



F – Air Motor design

- Design of Air Motor Cover makes The 10-C18 one of the quietest pump in its category.



➤ Customer Benefit:

- Quiet Air Motor

- 10-C18 pump

- Balanced Acoustic Pressure @ 6 bar → **79,4 dBa**

- Refer to Technical file for comparison with competition

- ➔ **Improved personal safety**

EFFICIENCY

CONTENTS

1. Presentation
2. Description of the EOS 10-C18
3. The targeted Markets EOS 10-C18
4. The applied Products EOS 10-C18
5. The Applications EOS 10-C18
6. **E**fficiency EOS 10-C18
7. **O**ptimization EOS 10-C18
8. **S**implicity EOS 10-C18

7 - Optimization

EOS 10-C18



OPTIMIZATION

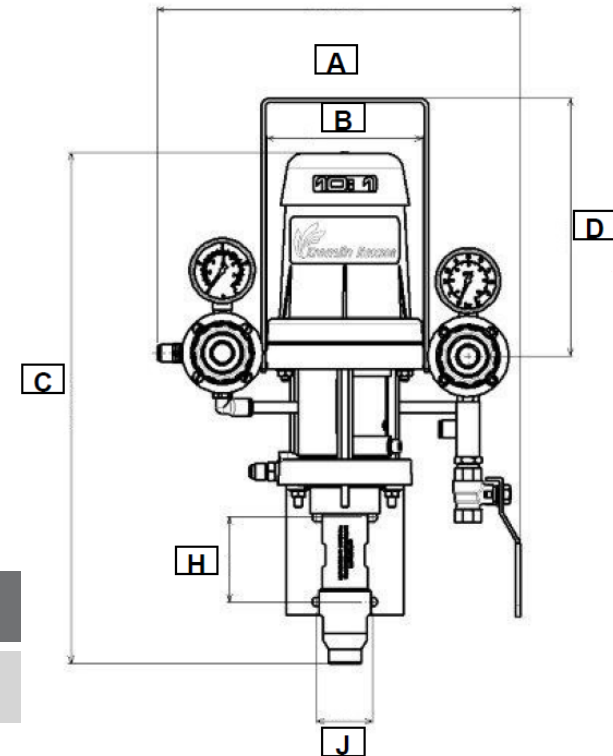
- | | | |
|----|---|----------------|
| A. | <i>Compact</i> | <i>p 36</i> |
| B. | <i>New suction Valves</i> | <i>p 37</i> |
| C. | <i>Choice of different Suction Rods</i> | <i>p 38/39</i> |
| D. | <i>New Tripod (stand)</i> | <i>p 40</i> |
| E. | <i>One Arm Trolley</i> | <i>p 41</i> |
| F. | <i>Fluid filter</i> | <i>p 42</i> |
| G. | <i>Flexibility of configurations</i> | <i>p 43/44</i> |
| H. | <i>Economy (Cost Of Ownership)</i> | <i>p 45/46</i> |

7 - Optimization

EOS 10-C18


A - Compact

- EOS Pumps 10-C18 is very compact in regards of their high performances (Flow rate & Pressure ratio)
- Perfectly adapted to be Stand or trolley mounted.



A	C	D	H	J
279 mm	392 mm	198 mm	65 mm	43 mm

➤ Customer benefit:

 The Suction rod is positioned in product pail without a pronounced swan neck effect.

➔ **NO cavitations even with medium viscosity products**

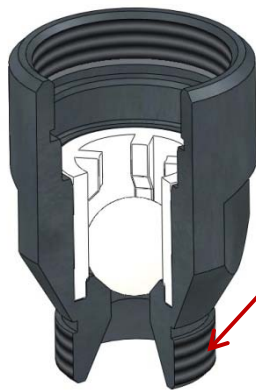
7 - Optimization

EOS 10-C18

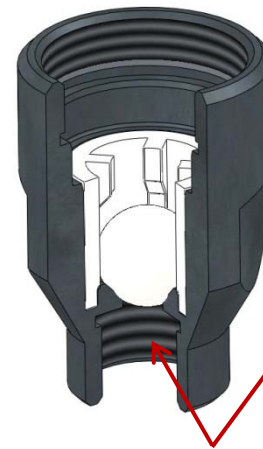


B – New suction Valves

EOS Pumps 10-C18 is **available with two different suction Valves** selected depending on the installation.



• **Male 26x125**
when using
the Kremlin
Rexson
suction rods.



• **Female 1/2**
when using
an adaptor
to feed the
pump from
a rigid fluid
line.

➤ **Customer benefit:**

• An optimized fluid passage to meet all customers requests.

OPTIMIZATION

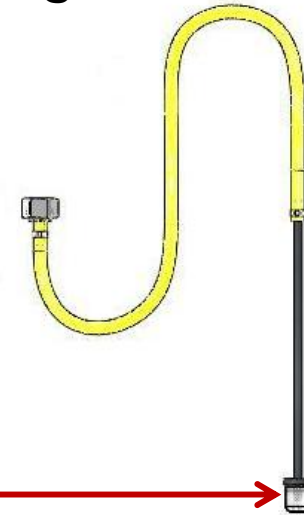
7 - Optimization

EOS 10-C18

C – Choice of different Suction rods

EOS Pumps 10-C18 is coming with a **Quick Color Change** Suction rod.

- The « **Quick Color Change Suction rod** » has a \varnothing 6 mm ID tube, length 300 mm and 800 mm PEBD hose, adapted for small drums (25 liter or 5 Gallons) and **low viscosity products** (up to 500 cPs).
- « **Quick Color Change** » Suction rod plunging tube is made of stainless steel and is coming with a stainless steel strainer screwed directly on the tube.



➤ Customer benefit:

- An optimized fluid passage diameter to reduce the loss of products during color changes and to minimize the volume of solvent necessary for equipment flushing.

7 - Optimization

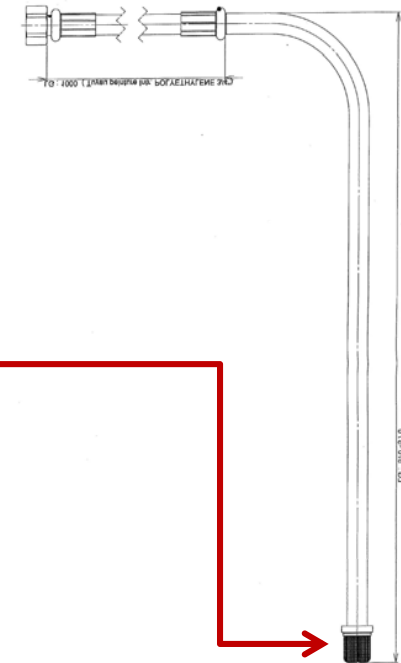
EOS 10-C18

C – Choice of different suction rods

- The « Easy Flush » Ø 16 mm suction rod is also compatible with EOS 10-C18. Better adapted for **higher viscosity products** due to its larger diameter fluid tube and hose.
- « Easy Flush » suction rod plunging tube is made of stainless steel and is supplied with a stainless steel strainer.

➤ **Customer benefit:**

- Products with viscosity up to 1000 cPs are pumped in good conditions without pressure losses or cavitations.



7 - Optimization EOS 10-C18

D – New Tripod (Stand)

- Design for the EOS 10-C18, it is easily installed on the fluid flange.
- Low profile and light weight to make the unit easy to move in the work shop.
- Very Simple without gun hook...



➤ Customer benefit:

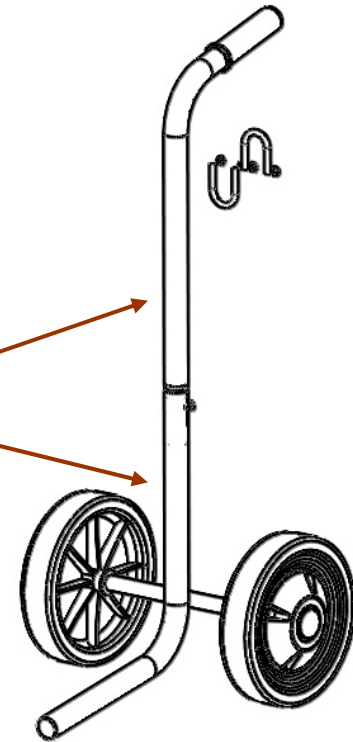
- With the pump handle, it makes the 10-C18 easy to transport.

7 - Optimization

EOS 10-C18

E – One Arm Trolley

- EOS 10-C18 is compatible with the existing One arm trolley.
 - A. Now coming in two parts for more compact packaging
 - B. Coming with hard wheels
 - C. Very Simple without Gun and Hoses hooks.



➤ Customer benefit:

- Makes the unit easy to move in the work shop...

7 - Optimization

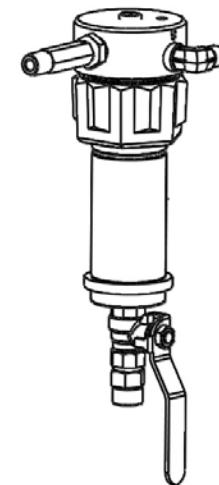
EOS 10-C18



F – Fluid Filter

EOS Pumps 10-C18 can be fitted with an existing fluid filter dedicated to the 10.14 pump.

- ✓ Existing accessory, easy servicing
- ✓ A drain valve on the base of the filter for a clean and fast drainage. This drain valve can also be used to put the pump in circulation mode.



OPTIMIZATION

➤ **Customer Benefit:**

- 🔵 Allows efficient filtering of potentially contaminated materials e.g. recycled.
- 🔵 Allows easy priming when used with long air & fluid hoses (10 meter and more)
- 🔵 Allows easy circulation during production stoppages when spraying filled products (to maintain solids in suspension).

7 - Optimization

EOS 10-C18



G – Flexibility of configurations

EOS Pumps 10-C18 is available in four configurations:

- Without suction rod – Fluid Inlet F ½ - with Airmix® Xcite 120 gun.
- With suction rod « Quick Color Change» - Fluid Inlet M26x125 - to handle fluid products (up to 500 cPs) and in the case of frequent color changes to reduce wastage of products and solvent with Airmix® Xcite 120 gun.
- 2 Complete Plug and Spray Packages (Wall or Stand mounted), with Airmix® Xcite 120 gun, with 7,5 m Fluid and Air hoses And Spray Tip #06.094.

➤ **Customer benefit:**

- To be perfectly adapted to the needs of our customers and Plug and Spray Packages easy to sell for the distributors.

OPTIMIZATION

7 - Optimization

EOS 10-C18



G – Flexibility of configurations

OPTIMIZATION

Part Number	Description	Pump Foot Valve Fitting (Fluid Inlet)	Air Reg Pump Air Motor (Power)	Air Reg Atomization	Suction rod "Quick Color Changes" ID 6mm Fit F26x125	Suction rod "Easy Flush" ID 16mm Fit F26x125	Xcite Gun 120 bar Inline Filter	Spray Tip	Fluid Hose ID 1/8" ID 3,2mm length 7,5m	Fluid Hose ID 3/16" ID 4,8mm length 7,5m	Air Hose ID 7mm Length 7,5m	Stand	One Arm Trolley	Fluid Filter 3/8
					151665640	149596050	135720120		050451153	050450853	050382114	151665705	051730110	155580510
151665700	EOS 10-C18, WM	F1/2 BSP	■	■	-	-	■	○	◇	◇	◇	◇	◇	◇
151665720	EOS 10-C18, WM	M26x125	■	■	■	◇	■	○	◇	◇	◇	◇	◇	◇
151665740	EOS 10-C18, WM	M26x125	■	■	■	◇	■	☺	◇	■	■	◇	◇	◇
151665760	EOS 10-C18, TM	M26x125	■	■	■	◇	■	☺	◇	■	■	■	-	-
■	Included													
◇	Option													
☺	Spray tip #06-094 Included													
○	Not Included, to be selected separately in the Spray Tip Chart													
-	Not Compatible													

1. Presentation of the EOS concept
2. Description of the range EOS 15-C25 & 30-C25
3. The targeted Markets EOS 15-C25 & 30-C25
4. The applied Products EOS 15-C25 & 30-C25
5. The Applications EOS 15-C25 & 30-C25
6. **E**fficiency EOS 15-C25 & 30-C25
7. **O**ptimization EOS 15-C25 & 30-C25
8. **S**implicity EOS 15-C25 & 30-C25

8 – Simplicity

EOS 10-C18



- | | | |
|----|---|------------------|
| A. | <i>Differential Air Motor</i> | <i>p 49</i> |
| B. | <i>Mobile Lower packing Construction</i> | <i>p 50 → 52</i> |
| C. | <i>Lubricant Cup Protection Enclosure</i> | <i>p 53</i> |
| D. | <i>Air Motor/hydraulic sec. Coupling</i> | <i>p 54</i> |
| E. | <i>Few Wearing Parts</i> | <i>p 55</i> |
| F. | <i>Ease of Use (Air Control)</i> | <i>p 56</i> |
| G. | <i>Well designed packaging</i> | <i>p 57</i> |

8 – Simplicity

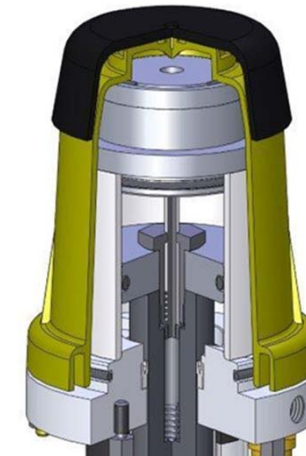
EOS 10-C18



A – Differential Air Motor

EOS Pumps 10-C18 is built with a Differential Air Motor. Created by Kremlin Rexson more than 30 years ago, this Air Motor Design requires a perfect technological mastery never equaled by competition.

- No External Air Distributor.
- Simple, It is built with a very limited number of movable parts.
- 40 to 50% less part than competition (refer technical file for details)



➤ Customer benefit:

- Allows fast and responsive reversing even at very low air pressure.
- Less friction, it is design to operate at higher speed

SIMPLICITY

8 – Simplicity

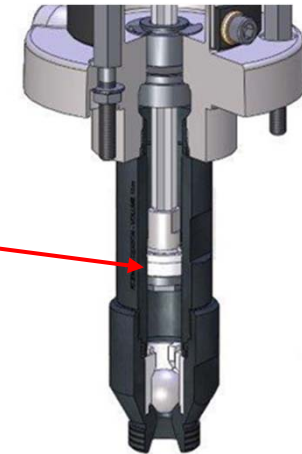
EOS 10-C18



B – Mobile Lower Packing construction

EOS Pumps 10-C18 is built with an hydraulic sec. using
➔ **Movable Lower packing with self compensation of wear.**

- Allow to use a Cup seal
- More Simple
- Do not require re-tightening like packing with V seals
- Much less friction than hydraulic section with V seal lower cartridges.



➤ Customer benefit:

- Better Sealing and longer working life.
- Better adapted to heat sensitive products than hydraulic sec. with V packing (Ex: UV or pre-catalyzed products)

SIMPLICITY

8 – Simplicity

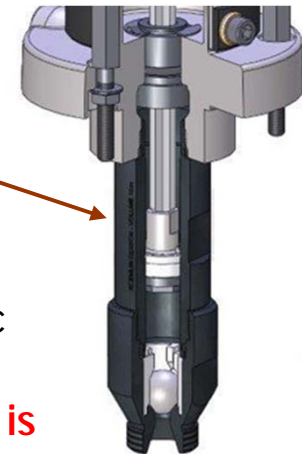
EOS 10-C18



B – Mobile Lower Packing construction

EOS Pumps 10-C18 is built with an hydraulic sec. using a Mobile Lower packing.

- Allow construction of Fluid cylinder in ONLY one piece.
→ **No fixed lower packing to be mounted and accurately tightened between a fluid cylinder built in two parts!**
- This construction allows to eliminate dead volumes in hydraulic sec.
→ **Draining and filling of product chambers (lower and upper) is more consistent than with an hydraulic section with fixed lower packing!**



➤ **Customer benefit:**

- Facilitate servicing operations.
→ **Less parts means quicker and cheaper servicing!**

SIMPLICITY

8 – Simplicity

EOS 10-C18



B – Mobile Lower Packing construction

EOS pumps 10-C18 is built with an hydraulic sec. using a Mobile Lower packing.

- Mobile lower packing with cup seal ensure a mechanical cleaning of the internal part of the fluid cylinder.



➤ Customer benefit:

- Facilitate cleaning process and thus allows a lower solvent consumption. ➔ **Accelerated Return On Investment**

SIMPLICITY

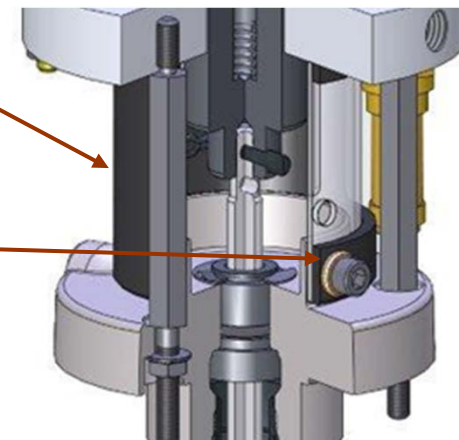
8 – Simplicity

EOS 10-C18




C – Lubricant Cup Protection Enclosure

- Pumps EOS 10-C18 is equipped with a **lubricant cup protection enclosure** between Pump Air Motor and Hydraulic section.
- The lubricant cup protection enclosure is easy to open when it becomes necessary to disassemble the Air Motor from Hydraulic sec. Technical coupling pin (A).



➤ **Customer benefit:**

 Protection Enclosure can be easily opened for technical inspection and daily servicing.

SIMPLICITE

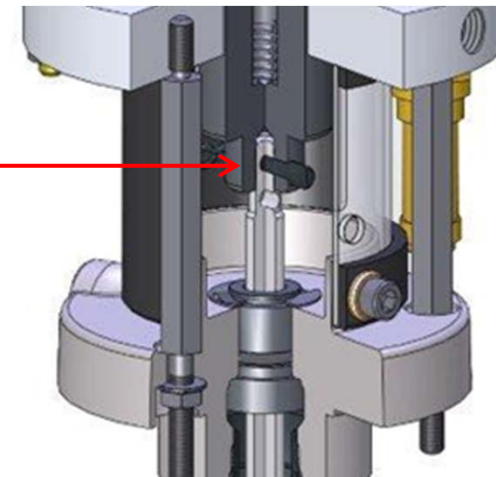
8 – Simplicity

EOS 10-C18

D – Air Motor/Hydraulic section Coupling

→ Very Simple and Clever coupling of the Air Motor and Hydraulic section.

- The Air Motor piston and the Hydraulic Section piston are connected together with a removable technical coupling pin. This coupling Pin is Reusable.



SIMPLICITY

➤ **Customer benefit:**

- Easy servicing
- Quick disassembling and Reassembling

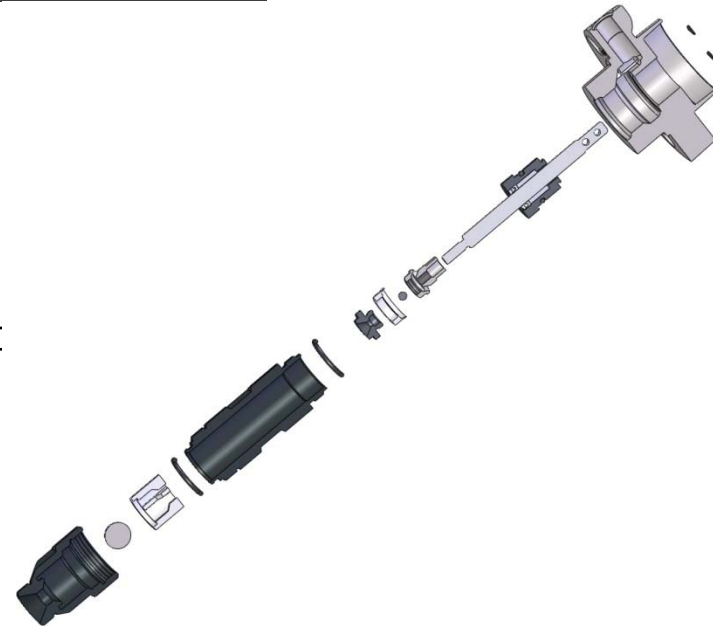
8 – Simplicity

EOS 10-C18



E – Few Wearing Parts

- Hydraulic section is built with very few parts (**15 parts**).
- Removal of fluid cylinder is simple and quick. It allows replacement of lower packing (GT seal) or the pump exhaust valve (**refer to disassembling/reassembling time in technical file**).



➤ **Customer benefit:**

- Simple and quick servicing with very few tools
- Avoid long and costly downtime

SIMPLICITY

8 – Simplicity

EOS 10-C18



F – Ease of use – Air Control

- EOS Pumps 10-C18 is equipped with a simple Air Control mounted on side of the Air Motor. It is available as a complete kit assembly for easy servicing.
- Pump Air supply is built with 2 gauges, 2 air regulators and one stop valve on Air inlet
 - ➔ The Air Supply Air hose is mounted parallel to the pump for a better pump stability!
- High quality Gauges are coming with Glass screen compatible with most solvents such as Toluene, Xylene, MEK, Acetone, etc...



➤ Customer benefit:

- 🔵 Allows precise air adjustments thanks to high precision air regulators.
- 🔵 Avoids risk for air gauges to get dirty or broken.

SIMPLICITY

8 – Simplicity EOS 10-C18



G – Well designed Packaging.

- Packaging of EOS Pumps 10-C18 is designed to
 - Protect all components with perfect wedging
 - Received all components of the “Plug and Spray” Outfits including the spray tip



➤ Customer benefit:

 Get all parts in one parcels. Limited size of packaging for easy and cheaper delivery.

SIMPLICITY

Conclusion



The EOS 10-C18 is designed to be
The best and to out perform other pumps in its category.
It is Perfect Supplier System of
Airmix® Xcite™Guns